

INSTALLATION MANUAL

13491

Level of Difficulty

Difficult

Installation difficulty levels are based on time and effort involved and may vary depending on the installer level of expertise, condition of the vehicle and proper tools and equipment.

Weight Carrying Capacity

Gross trailer weight (GTW)	7,500 lbs.
Tongue weight (TW)	750 lbs.

Weight Distribution Capacity

Weight distribution (WD)	7,500 lbs.
WD tongue weight (WDTW)	750 lbs.

Parts List

Item	Qty	Description
1	6	Hex bolt, 1/2"-13 x 1.5", grade 8
2	6	Conical-toothed washer, 1/2"

Tools Required

Socket, 8mm	Socket, 3/4"
Socket, 10mm	Ratchet
Socket, 13mm	Flathead screwdriver
Socket, 21mm	Torque wrench

* For a tools reference guide visit curtmfg.com/trailer-hitch-installation

⚠ WARNING

Never exceed the vehicle manufacturer's recommended towing capacity.

Product Photo



NOTICE

Visit www.curtmfg.com for a full-color copy of this instruction manual, as well as helpful videos, guides and much more!

Before you begin installation, read all instructions thoroughly.

Proper tools will improve the quality of installation and reduce the time required.

Periodic inspection of the trailer hitch should be performed to ensure all mounting hardware remains tight and structural components are secure.

To help prevent damage to the product or vehicle, refer to the specified torque specifications when securing hardware during the installation process.

SAFETY INSTRUCTIONS

Safety glasses should be worn at all times while installing this product.

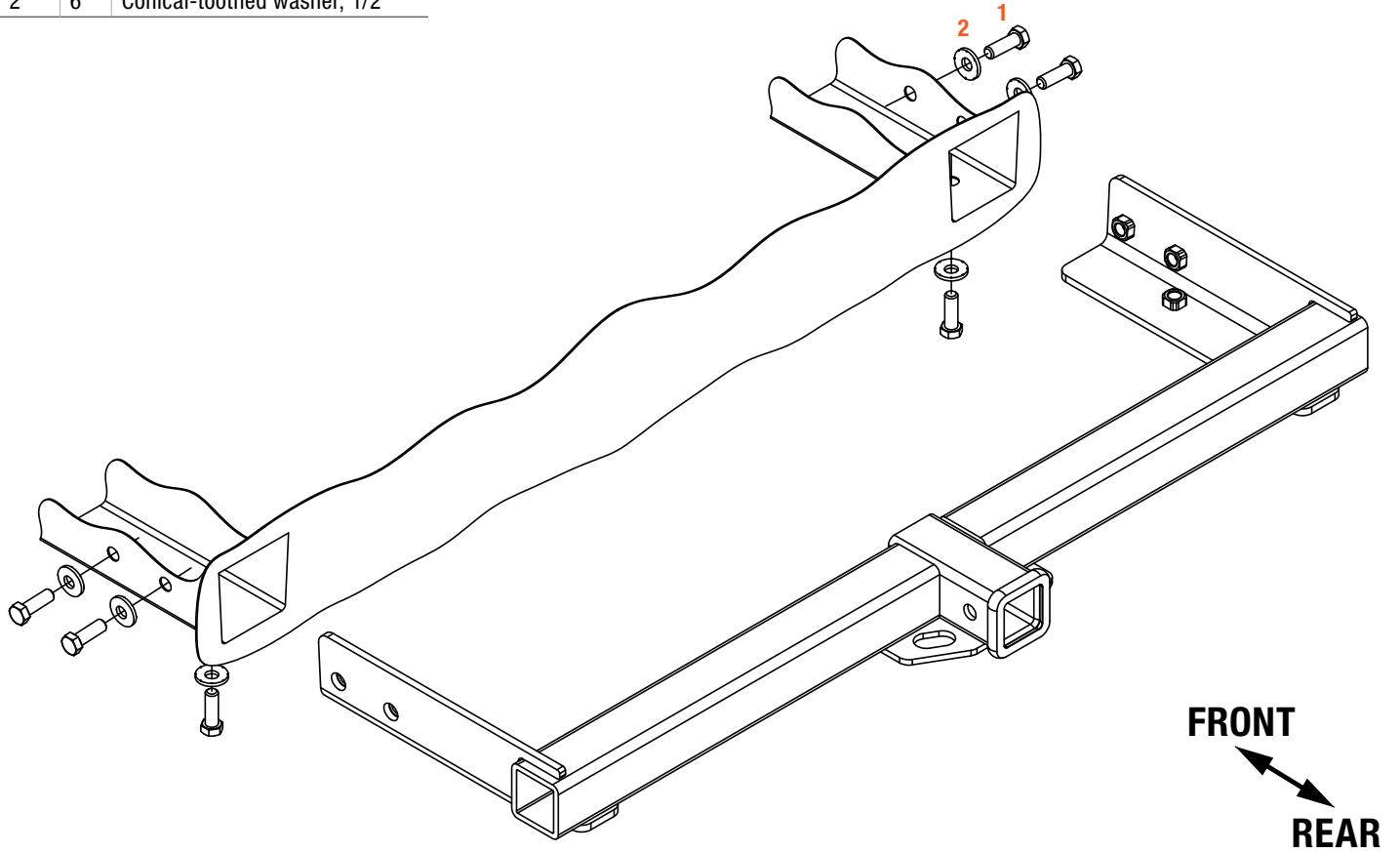
Product Registration and Warranty

CURT stands behind our products with industry-leading warranties. To get copies of the product warranties, register your purchase or provide feedback, visit: warranty.curtgroup.com/surveys

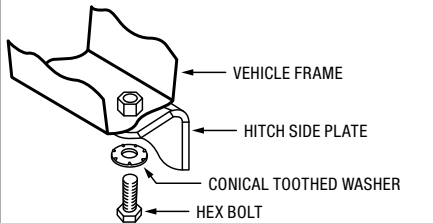
ASSEMBLY

Parts List

Item	Qty	Description
1	6	Hex bolt, 1/2"-13 x 1.5", grade 8
2	6	Conical-toothed washer, 1/2"

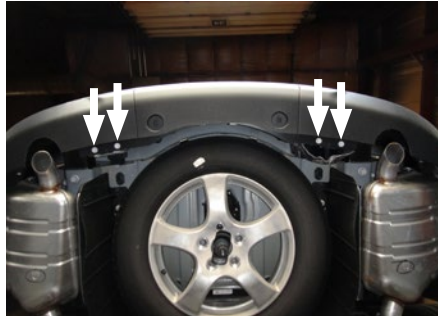


CONICAL TOOTHED WASHER ORIENTATION



Step 1

Remove four bolts from the bottom of the bumper cover using a 10mm socket. Remove four bolts from the rear of each wheel well liner starting from the bottom working up using an 8mm socket.



Step 2

Gently pull the wheel trim away from the vehicle starting at the bottom and working up. Squeezing the white clips behind the wheel liner may ease removal. Remove the newly exposed bolt using a 10mm socket.

Repeat on the other side of the vehicle.



Step 3

Disconnect the electrical connector located to the rear of the tire behind the bumper cover on each side by pulling the tab on the vehicle side of the connector towards the front of the vehicle then pushing it down.



Step 4

With the rear lift gate open, use a flathead screwdriver to remove the two black plugs in the bumper cover and remove the bolts with a 10mm socket.



Step 5

Use a flathead screwdriver to remove the plug in the taillight cover. Remove the cover by pulling it straight rearward from the vehicle.



Step 6

Remove the bumper cover by gently pulling it away from the vehicle starting at the wheel well and working towards the rear. Set aside for reinstallation.



Step 7

Remove the two bolts from each exhaust hanger on the outside of the vehicle using a 13mm socket.



Step 8

Remove rear bumper beam by removing the two bolts from the outside and one bolt from the bottom of each frame rail using a 21mm socket. Return the bumper beam and fasteners to the vehicle owner.



Step 9

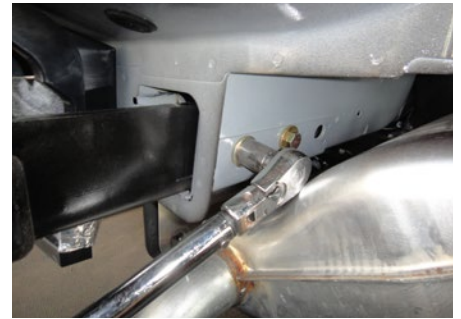
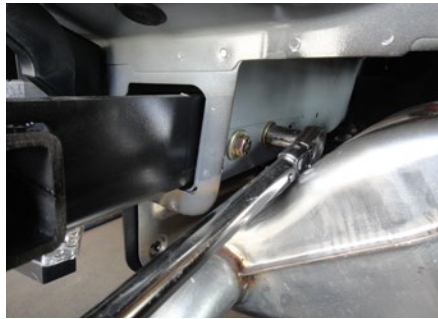
Insert the hitch side plates into the end of the frame rails and loosely secure with supplied 1/2" bolts (#1) and conical toothed washers (#2).



Step 10

Torque hardware to 110 ft-lbs.

Reinstall bumper cover following steps 1 through 7 in reverse order.



Final Installed Image



TOWING BASICS & SAFETY INFORMATION

For information on safely towing your trailer, visit curtmfg.com/understanding-towing.